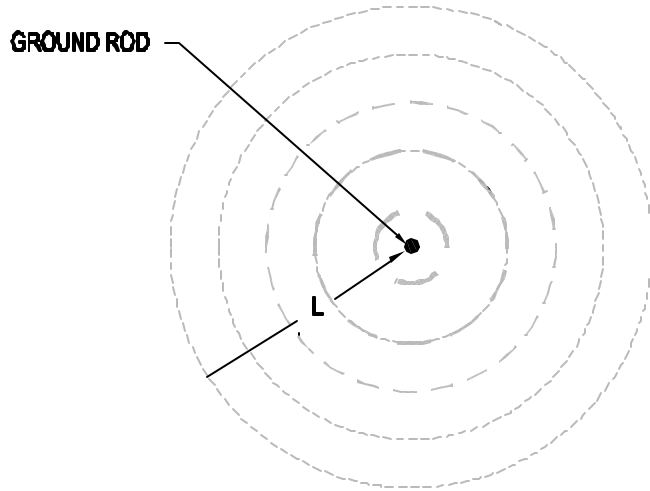
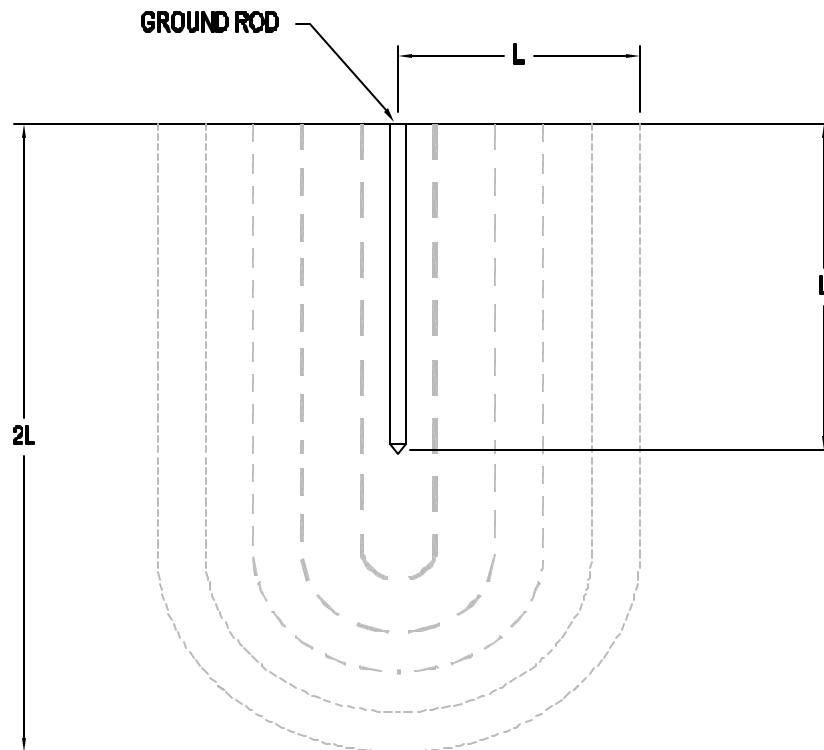


# TOP VIEW



# SIDE VIEW



1A

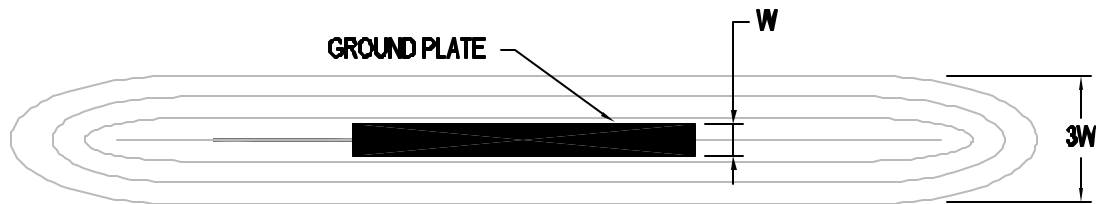
# GROUND ROD SPHERE OF INFLUENCE

NO SCALE

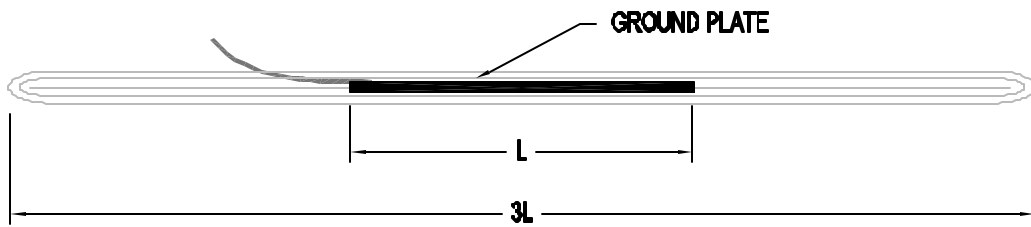


AMERICAN SOCIETY OF INSULATION CONTRACTORS 2001

TOP VIEW



SIDE VIEW



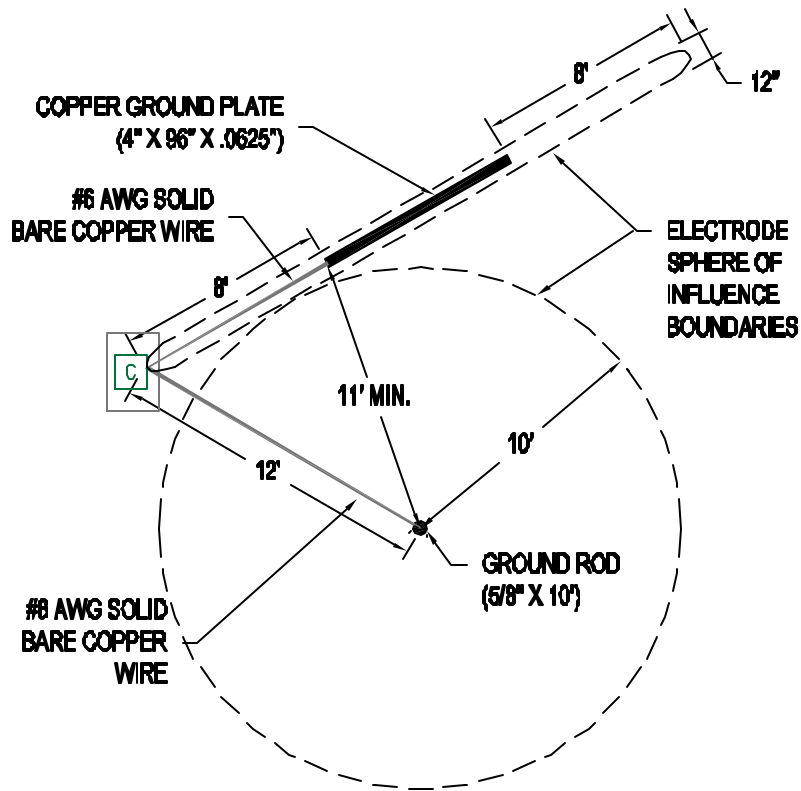
AMERICAN SOCIETY OF TDD TECHNICIANS' CONCEPTS FOR CONDUCTIVE LOSS

1B

**GROUND PLATE SPHERE OF INFLUENCE**  
NO SCALE

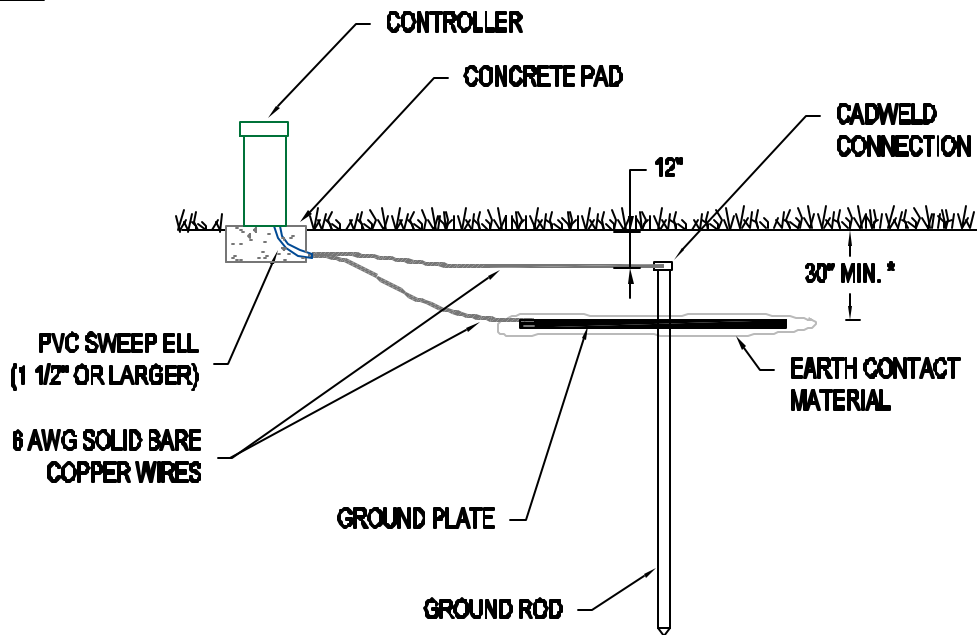


**TOP VIEW**



**DO NOT INSTALL ANY OTHER WIRES OR CABLE  
 WITHIN THE SPHERE OF INFLUENCE**

**SIDE VIEW**



\* OR BELOW FROSTLINE, WHICHEVER IS DEEPER

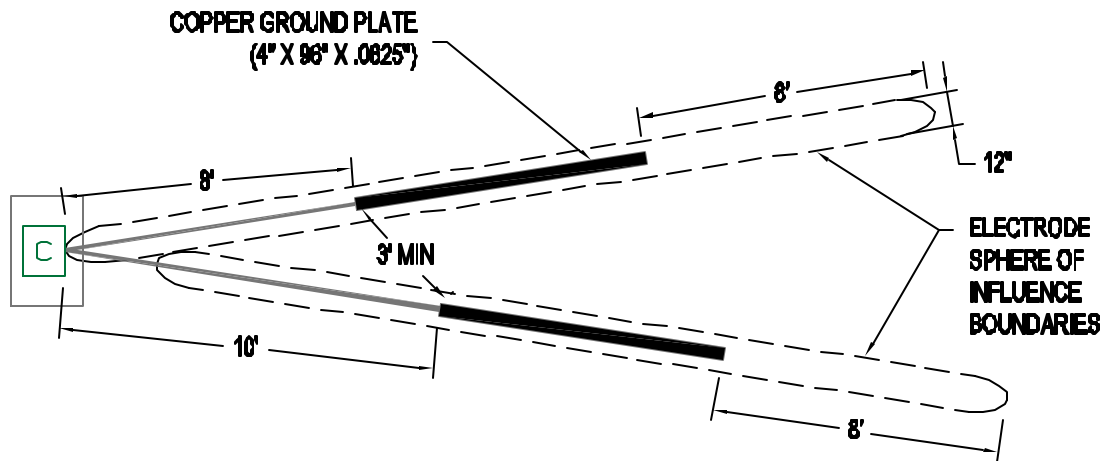
**FIGURE 2 - UP TO 64 STATIONS, NON-ROCKY SOILS**

**NO SCALE**



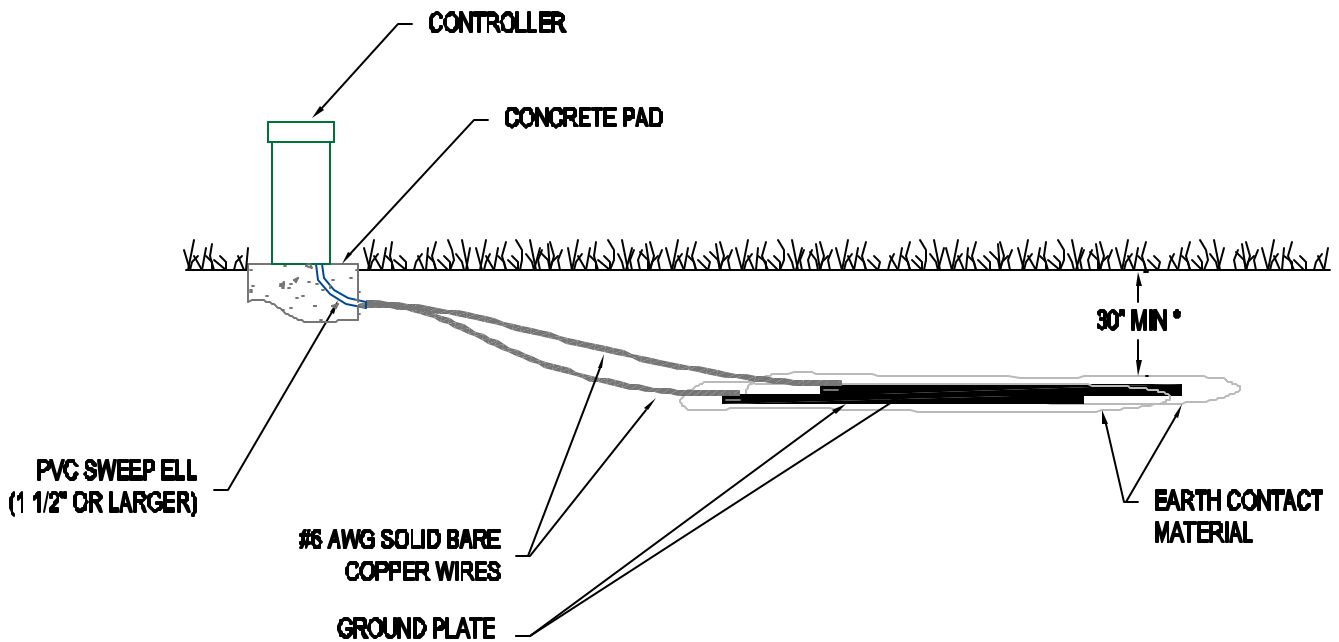
AMERICAN SOCIETY OF TDD TECHNICIANS CONCEPT DRAWING 2001

### TOP VIEW



DO NOT INSTALL ANY OTHER WIRES OR CABLE  
WITHIN THE SPHERE OF INFLUENCE

### SIDE VIEW



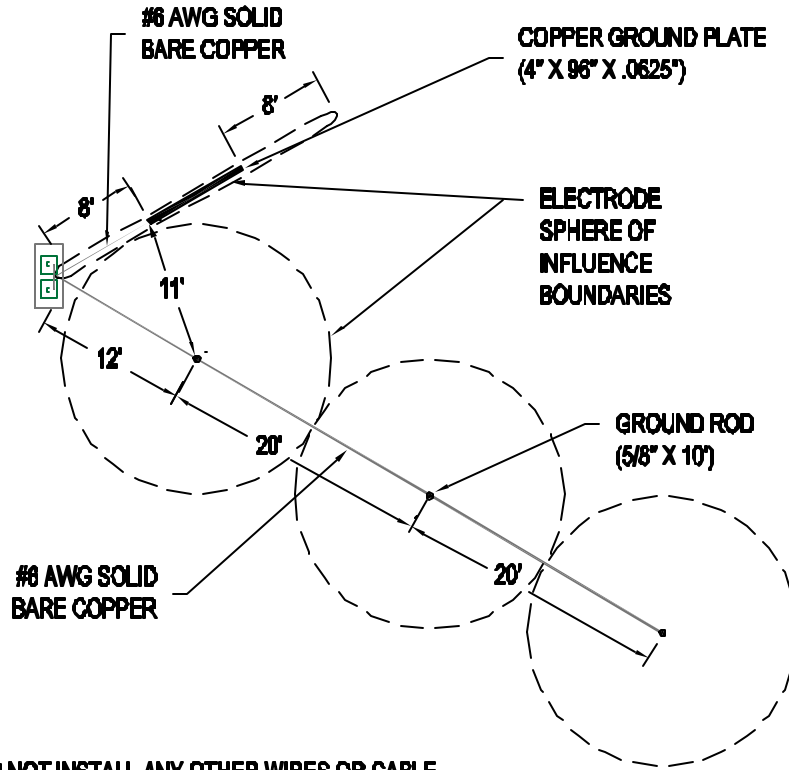
\* OR BELOW FROSTLINE, WHICHEVER IS DEEPER

3

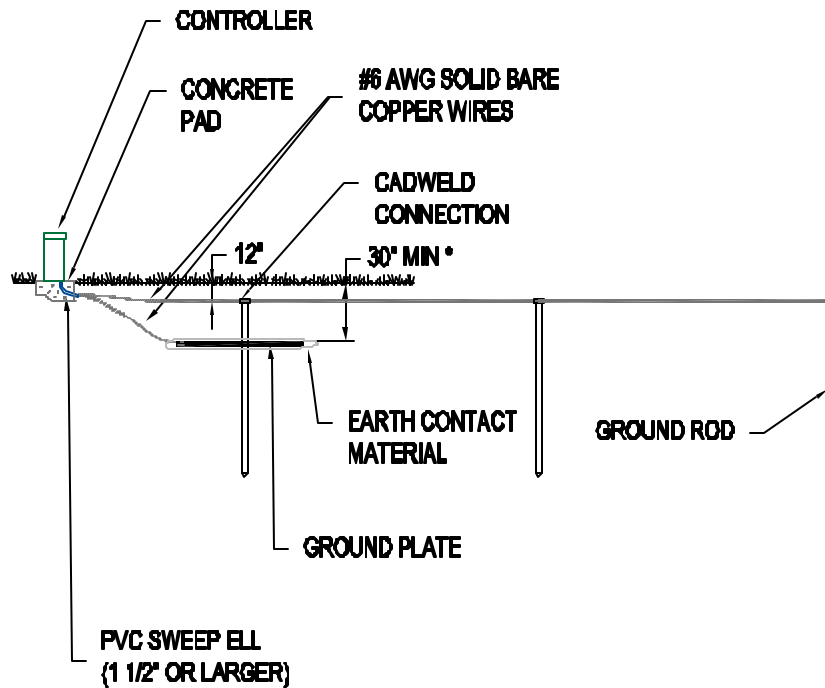
FIGURE 3 - UP TO 64 STATIONS, ALL SOILS  
NO SCALE



### TOP VIEW



### SIDE VIEW

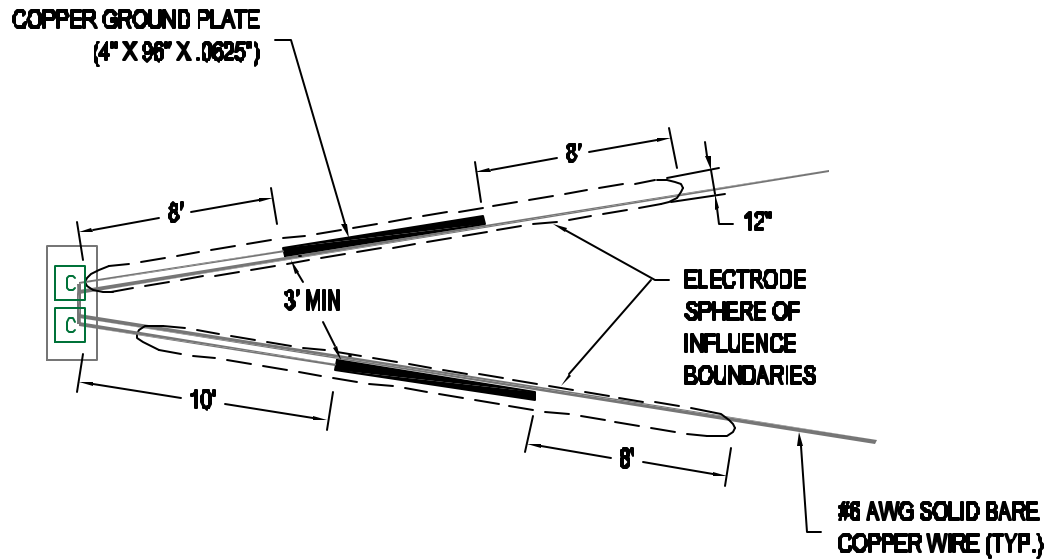


\* OR BELOW FROSTLINE, WHICHEVER IS DEEPER

## FIGURE 4 - UP TO 96 STATIONS, NON- ROCKY SOILS

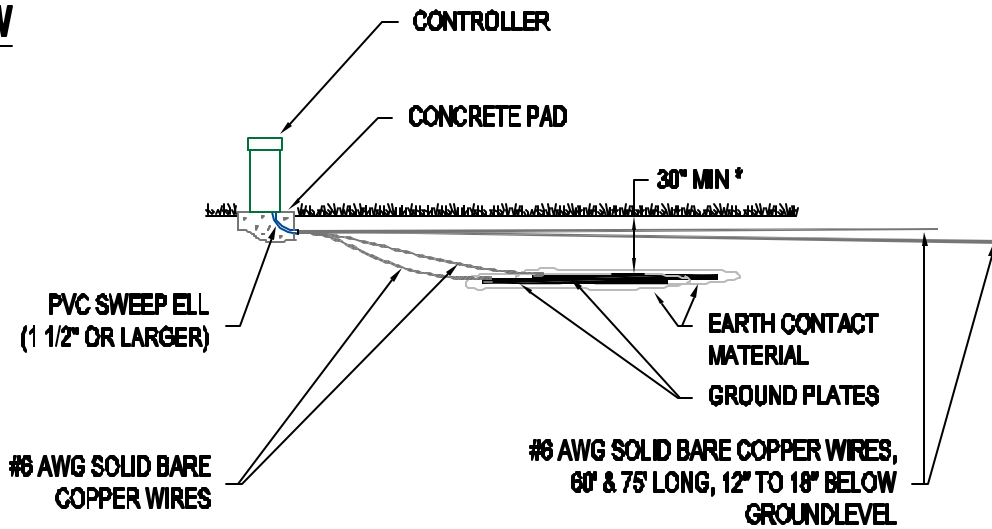
NO SCALE

# TOP VIEW



DO NOT INSTALL ANY OTHER WIRES OR CABLE  
WITHIN THE SPHERE OF INFLUENCE

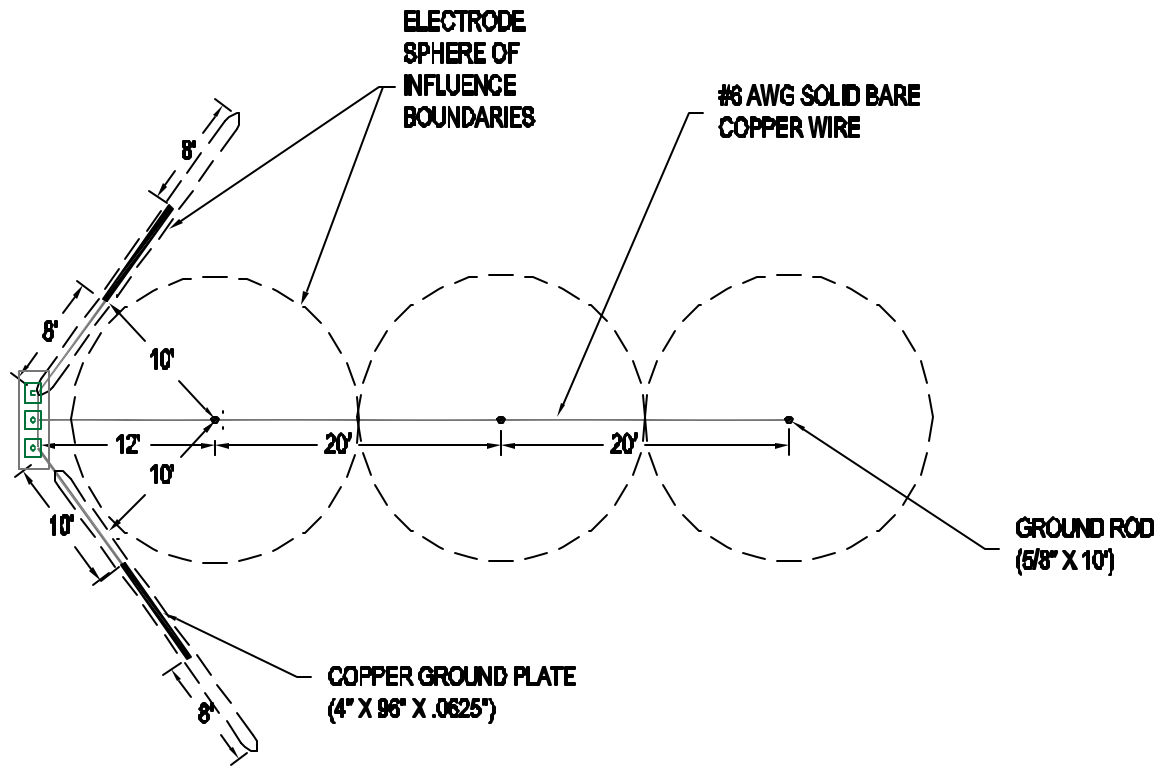
# SIDE VIEW



\* OR BELOW FROSTLINE, WHICHEVER IS DEEPER

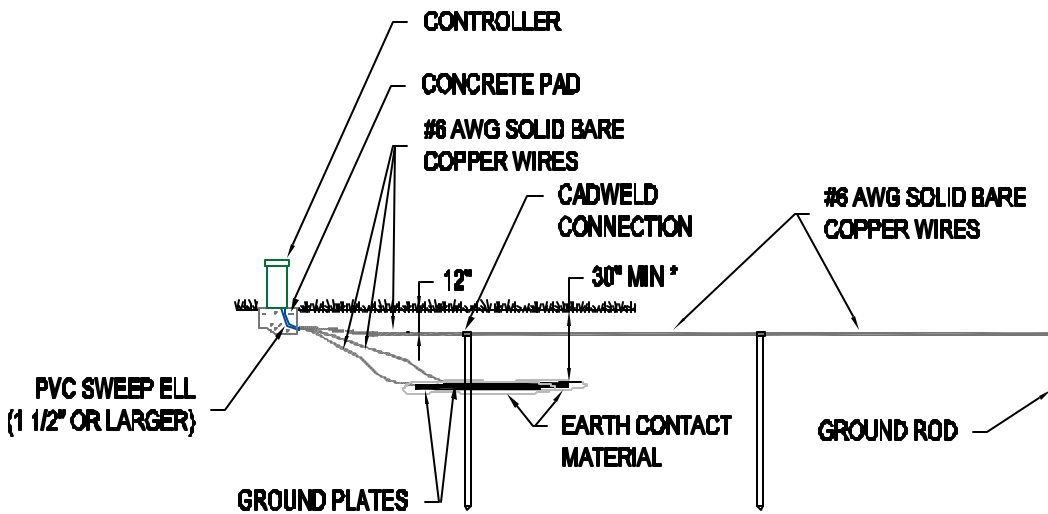
FIGURE 5 - UP TO 96 STATIONS, ALL SOILS  
NO SCALE

### TOP VIEW



DO NOT INSTALL ANY OTHER WIRES OR CABLE  
WITHIN THE SPHERE OF INFLUENCE

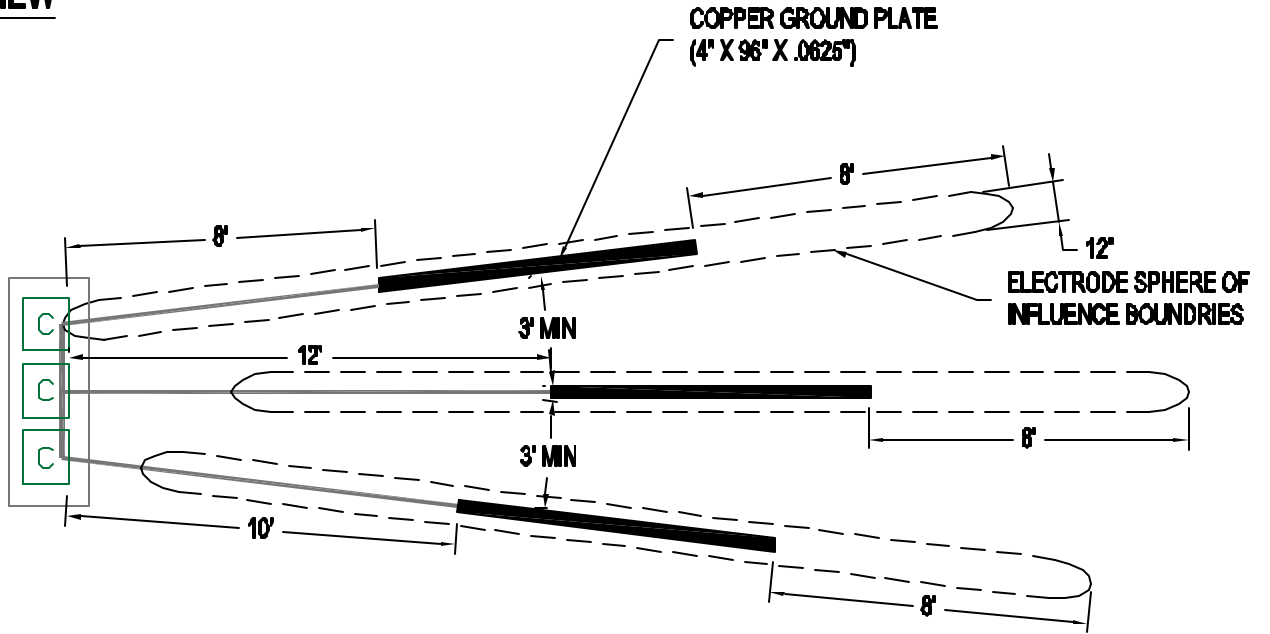
### SIDE VIEW



\* OR BELOW FROSTLINE, WHICHEVER IS DEEPER

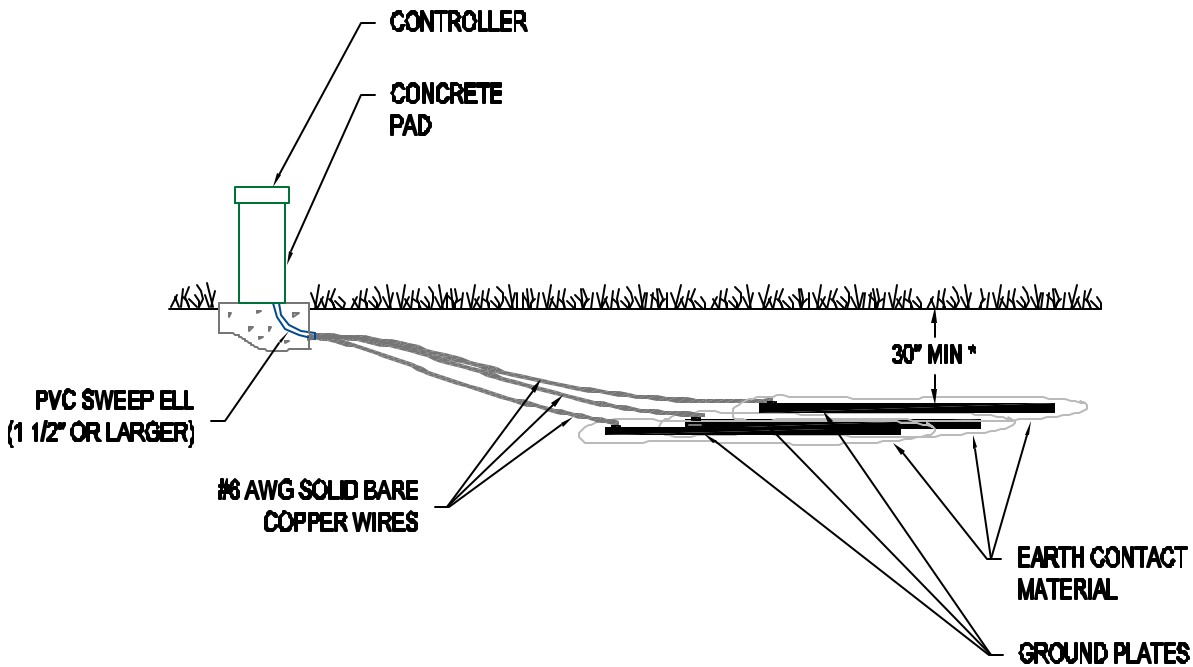
FIGURE 6 - UP TO 128 STATIONS, NON-ROCKY SOILS  
NO SCALE

### TOP VIEW



**DO NOT INSTALL ANY OTHER WIRES OR CABLE  
WITHIN THE SPHERE OF INFLUENCE**

### SIDE VIEW



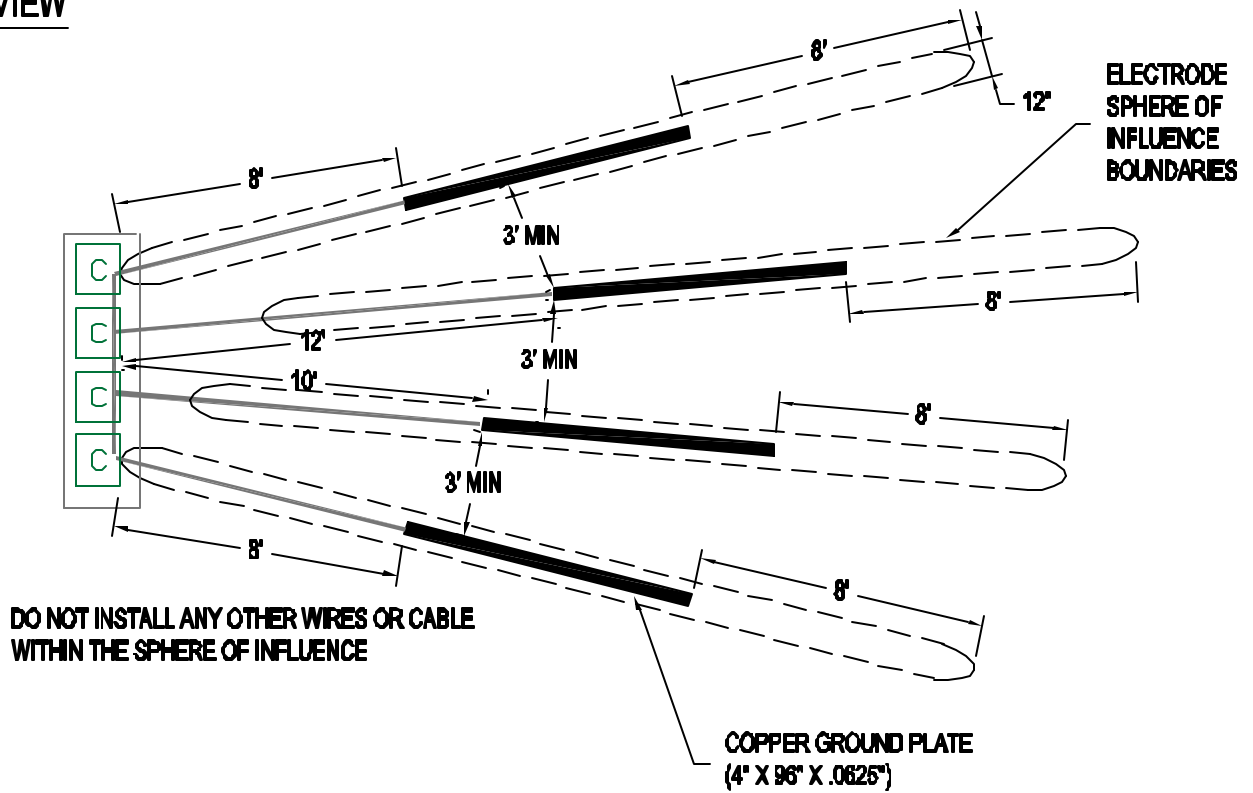
\* OR BELOW FROSTLINE, WHICHEVER IS DEEPER



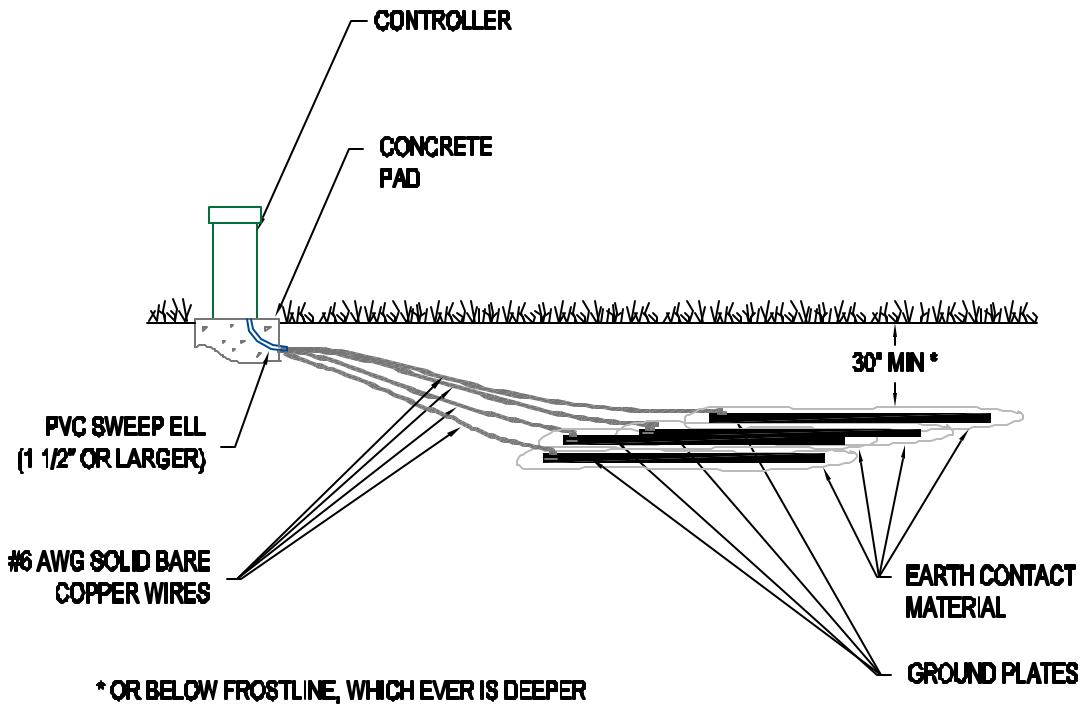
7

**FIGURE 7 - UP TO 128 STATIONS, ALL SOILS  
NO SCALE**

**TOP VIEW**



**SIDE VIEW**



\* OR BELOW FROSTLINE, WHICH EVER IS DEEPER

**FIGURE 8 - UP TO 256 STATIONS, ALL SOILS**

**NO SCALE**